



Koch California Ltd.

662 Eucalyptus Road, P.O. Box 1127
Nipomo, CA 93444

Phone: (805) 929-4153
Fax: (805) 929-5598
Email: kocheal@earthlink.net

October 26, 1999

Michael Fuson, City Manager
The City of Pismo Beach
760 Mattie Road
Pismo Beach, CA 93449

CITY OF PISMO BEACH

NOV 03 1999

RECEIVED
CITY CLERK

(805) 773-4657 Phone
(805) 773-7006 Phone

Dear Michael Fuson:

Thank you, for responding to my request for reviewing records that I sent the City of Pismo Beach on September 16, 1999. In that request I was seeking to review and possibly copy the records the City had on its well levels and production records in all past years. In reviewing the copies I received I have noted that there seems to be no periodic measuring and recording the levels of any wells. There is also no amount of water pumped from any wells. I also note that there is no information before the early 1980's. Most of the copies I did receive were on water Quality not water level and Quantity that I was looking for.

I would like to confirm that The City of Pismo Beach:

- Does not have a systematic program to measure and record well levels..
- Does not have a systematic program to measure and record each wells Quantity of production.
- Does not have any records of well levels before about 1983.
- Does not have any records of the amount of water produced from any wells at any time.

If the City of Pismo Beach does have such records please let me know when I can review them. I would like to be sure to see them and select the portions that I need copies of before the copies are made.

Thank you for your timely attention to our request.

John Snyder
Vice President



Koch California Ltd.

662 Eucalyptus Road, P.O. Box 1127
Nipomo, CA 93444

Phone: (805) 929-4153
Fax: (805) 929-5598
Email: kochcal@earthlink.net

October 26, 1999

Michael Fuson, City Manager
The City of Pismo Beach
760 Mattie Road
Pismo Beach, CA 93449

(805) 773-4657 Phone
(805) 773-7006 Phone

Dear Michael Fuson:

Thank you, for responding to my request for reviewing records that I sent the City of Pismo Beach on September 16, 1999. In that request I was seeking to review and possibly copy the records the City had on its well levels and production records in all past years. In reviewing the copies I received I have noted that there seems to be no periodic measuring and recording the levels of any wells. There is also no amount of water pumped from any wells. I also note that there is no information before the early 1980's. Most of the copies I did receive where on water Quality not water level and Quantity that I was looking for.

I would like to confirm that The City of Pismo Beach:

- Does not have a systematic program to measure and record well levels..
- Does not have a systematic program to measure and record each wells Quantity of production.
- Does not have any records of well levels before about 1983.
- Does not have any records of the amount of water produced from any wells at any time.

If the City of Pismo Beach does have such records please let me know when I can review them. I would like to be sure to see them and select the portions that I need copies of before the copies are made.

Thank you for your timely attention to our request.

John Snyder
Vice President



Koch California Ltd.

662 Eucalyptus Road, P.O. Box 1127
Nipomo, CA 93444

Phone: (805) 929-4153
Fax: (805) 929-5598
Email: kochcal@earthlink.net

September 16, 1999

Michael Fuson, City Manager
The City of Pismo Beach
760 Mattie Road
Pismo Beach, CA 93449

(805) 773-4657 Phone
(805) 773-7006 Phone

Re: **Request to Inspect and Copy Public Records**

Dear Michael Fuson:

This letter is a request to inspect public records which are in the possession of the **CITY OF PISMO BEACH** pursuant to the California Public Records Act (Govt. Code §6250, et seq.). **Following the inspection, we may request copies** of some or all of the records. In the event we request copying by the **CITY OF PISMO BEACH** we will, at that time, tender any required copying charges. However, we reserve the right to have copies of the records made at your location by an independent copying service of our choosing.

Please make the records available for inspection beginning on **October 8th, 1999 at 10:00 a.m.** Unless we are notified otherwise, we shall expect that the records will be available for inspection in the **CITY OF PISMO BEACH** office. The following is a list of the reasonably identifiable public records which we desire to inspect on or after **October 8th, 1999 at 10:00 a.m.**

1. **All "Well Completion Reports" for each water well owned and/or operated by CITY OF PISMO BEACH.**
2. **For any water well for which a Well Completion Report is not in the possession of CITY OF PISMO BEACH, such other documents as are in the possession of CITY OF PISMO BEACH which show any of the following information: a) the well location, b) the name and address of the well driller, c) the date the well was completed, d) depth to first water below surface e) total depth of completed well.**
3. **Documents which show the amount of water produced from each water well owned and/or operated by CITY OF PISMO BEACH for each month from the completion of the well through to July 31st 1999.**
4. **All reports of hydraulic test results for each water well owned and/or operated by CITY OF PISMO BEACH, for the period beginning with the construction of the each well and ending July 31, 1999, which show any of the following information: a) standing water level, b)**

pumping water level, c) pumping amount, capacity or GPM.

- 1 All reports created during repair or maintenance of CITY OF PISMO BEACH wells with a measure of: a) standing water level, b) pumping water level, c) pumping capacity or GPM during pumping water levels (such as those commonly found on Floyd wells or other contractor's Invoice, Repair order Invoice, or Well Drilling logs etc.) for the period beginning with the construction of the each well and ending July 31, 1999.



If a portion of the information contained in the records we have requested is exempt from disclosure by express provisions of law, Govt. Code §6254 requires segregation and deletion of that material in order that the remainder of the information may be released.

Please take note that Govt. Code §6256 requires the CITY OF PISMO BEACH to determine, within ten (10) days after receipt of this request, whether the CITY OF PISMO BEACH will comply with this request. If the CITY OF PISMO BEACH decides not to comply with all or any portion of this request, Govt. Code §6256 requires notification to us of the reasons for the determination not later than ten (10) days from your receipt of this request. Further, Govt. Code §6256.2 prohibits the use of any provision of the Public Records Act to delay access for the purposes of inspecting public records. Govt. Code §6256.2 also requires that any notification of denial of this request for records must set forth the names and titles or positions of each person responsible for the denial.

Thank you for your timely attention to our request.



John Snyder
Vice President

	Number	Size	StationID	Status	Subject	Time	Date	Duration	Type	Name	Result	AmountSent
1	7737006	3 Pages	805 773 7006			3:44:31 PM	10/26/99	00:02:43			Ok	3 Pages



City of Pismo Beach
760 Mattie Road
Pismo Beach, CA 93449
(805)773-4657 Fax: (805) 773-7006

November 16, 1999

Mr. John Snyder
Koch California, Ltd.
662 Eucalyptus Road
P.O. Box 1127
Nipomo, CA 93444

Re: Records request for City Well Information

Dear Mr. Snyder:

Attached are the files relating to City well levels and water production provided to me from Mr. Rocky Rogers.

There will be no charge for these copies because you previously paid for records.

If you need any additional information, please forward your request to my attention. Thank you.

Sincerely,

A handwritten signature in cursive script that reads "Sharon Jones".

Sharon Jones
City Clerk

cc: Mr. John Ossiff

WELL SOUNDINGS RECORD

DATE	WELL #5		WELL #9		WELL #10		WELL #17		WELL #23		#24 Blair
	FWL	SWL	FWL	SWL	FWL	SWL	FWL	SWL	FWL	SW	
3/1/98		50'		11.5'		47'		18.5'		not able to sound due to bit	8'
3/31/98		—		—		—		—		12'	12'
5/5/98		49'								13'	12.5'
6/4/98		50'								14'	
7/1/98		76'		19'		39'				22'	
8/3/98	149'										
9/1/98		69'								39'	13'
9/30/98		68'								22'8"	13'4"
11-1-98		51'								19	13'
12-1-98		51'								17	12'
2-1-99		46'								18	14'
3-1-99		56'								20	12'
5-7-99		55'								25'	
6-4-99		52'								30	
7-1-99	144'									25	
8-1-99		48'								22'	
9-1-99		54'								38'	
10-1-99		56'								32'	
11-1-99		53'								34'	

NOTE: WELLS 9, 10, 17 SOUNDED WEEKLY. WELLS 5 AND 23 SOUNDED JAN, APR, JUL, OCT
~~##, ##~~ monthly

WELL SOUNDINGS RECORD

DATE	WELL #5 FWL	#5 SWL	WELL #9 FWL	#9 SWL	WELL #10 FWL	#10 SWL	WELL #17 FWL	#17 SWL	WELL #23 FWL	#23 SW	#24 SW
6-1-95		185.2'		18'		53'		27'	74'		12
7-1-95	141'			17'		54'		27'	80'		SWL, 10
8-1-95	141'			17		54'		27'	80'		10
9-1-95	151'			17.5		53'		27'	77'		17.5
10-1-95		64'		23'		58'		29'		24	15
11-3-95	129'			29'		55'		22'		23'	14
1-2-96		62'		22'		53'		26'		21'	16'
2-2-96		54'		20'		54		27'		15.6'	14
3-7-96	120'			16'		53'		25'		5	11'
4-1-96		60		16'		54'		26'		24'	12'
5-1-96	139'			15'		51'		24'	69'		14.5'
6-1-96	135'			16'		52'		22'	69'		13
7-9-96	146'			14'		51'		26'	75'		14'
8-1-96	141'			14'		51'		24'	74'		14'
9-5-96	136'			18'		53'		25.6'	59'		15'
10-1-96	134.5			18.5		52'		25'	73'		15
11-1-96		60.5		18'		54'		25.5'		23'	14.5
12-2-96		53		15.5'		53'		32.5'			13.5'
8/97		76		19		39				22	
9-2-97		78'		19'		39'					
11-3-97		78'		13.5		49'		26'		26'	14'
12-1-97		78'		14.5		51'		55'		16'	13'
12-31-97	lost	2nd		14'8"		50'4"		23'		14'	
2-1-98		50'		11.5		47'		18.5		8	8'

NOTE: WELLS 9, 10, 17 SOUNDED MONTHLY; WELLS 5 AND 23 SOUNDED MONTHLY.

copy of document found at www.NoNewWipTax.com

Monthly

Monthly

WELL SOUNDINGS RECORD

DATE	WELL #5		WELL #9		WELL #10		WELL #17		WELL #23		Well #27
	FWL	SWL	FWL	SWL	FWL	SWL	FWL	SWL	FWL	SW	
3-1-93		51'		35'		70'		40.5'		19'	12'
4-1-93		49'		35'		72'		41'		19'	12'
5-3-93	147'			33'		68'		38'		19'	14'
6-10-93	148'			35'		70'		40'		22'	15
				32'		67'		37'		25'	15
8-10-93	147'			30'		66'		35'	35'	35'	15'
9-3	150'			30'		66'		37'	85'		18'
11-4		59'		29'		65'		35½'			16½
12-7-93	139'			28'		64'		35'		16.5'	15'
1-6-94	139'			30'		66'		35'	76'		16'
2-2-94		54'		27'		64'		34'		22'	10'
3-2-94		54'		26'		61'		32'		17'	14'
4-4-94		57'		25'		60'		30'		19'	14.5
5-4-94	136'			27'		63'		33'		20'	15.6
6-30-94		68'		25'		60'6"		33'	94'		14'
8-3-94	154'			23'		59'		29'	89'		16'
9-2-94	152½'			23'		59'		31½'		26'	15'
10-3-94		67'		25.5'		61'		32'		23'	16'
11-1-94		64'		26'		58'		29'		24'	15'
12-1-94	132'			24'		77'		30'		18'	15.5'
1-7-95		60		21		58		14		15	14
2-1-95		50		20.5		57		29		17.5	12
3-1-95	129.5			20		56		28.5	75		12.5
5-1-99		49		20		52		26		15	12

NOTE: WELLS 9, 10, 17 SOUNDED WEEKLY; WELLS 5 AND 23 SOUNDED JAN., APR., JUL., OCT

WELL SOUNDINGS RECORD

DATE	WELL #5		WELL #9		WELL #10		WELL #17		WELL #23		#24 SPORT COMP
	PWL	SWL	PWL	SWL	PWL	SWL	PWL	SWL	PWL	SWL	
2/10/92	120'			63'		90'		64'		18'	PWL 3
2/14/92				60'		90'		62'			
2/18/92				60'		89'		61'			
2/21/92				59'		89'		61'			
3/6/92				55'		85'		60'		14'	
3/13/92				65'		87'		60'			
3/20/92	123'			58'		86'		60'		15'	
3/27/92				54'		84½'		59'			
4/3/92		52'		55'		85'		59'	26'		
4-9-92				52'		84½'		59'			
4-17-92	120'		100'		140'			55'		15'	15
4-24-92			104'		141'			58'			
5/1/92			109'			102'		58'		21'	
5/8/92			100'			89'		58'			
5/15/92	129'			61'		88'		58'		19'	16'
5/22/92				55'		84'		58½'			
5/29/92				53'		82'		57'			
7/1/92	135'			49'		83'		55'		24'	17
8/4/92		60'		46'		80'		56'	22'		17
9/3/92		57'		45'		79'		48'	23'		17
10/1/92	132'			42'		79'		47'	25'	1	15
11/4/92	139'			41'		76'		45'		24'	17
12/2/92	142'			40'		76'		45'		23'	20'
1/5/93	125'			43'		73.5'		43'		23'	15
2-2-93		54'		36'		72'		43'		17.6	13

NOTE: WELLS 9, 10, 17 SOUNDED WEEKLY; WELLS 5 AND 23 SOUNDED JAN, APR, JUL, OCT

WELL SOUNDINGS RECORD

DATE	WELL #5		WELL #9		WELL #10		WELL #17		WELL #23		# 24 SPORTS COMPL.
	FWL	SWL	FWL	SWL	FWL	SWL	FWL	SWL	FWL	SWL	
18 Jul 91				61'		93'		54'			FWL 14
26 Jul 91				55'		86.5'		54'			
02 Aug 91			107'		163'			54'			
09 Aug 91			109'		165'			55'	10 min 80'	24'	SWL 15
16 Aug 91			100'		172'	turned down pump		58'			
23 Aug 91			115'		145'			57'			
30 Aug 91			117'		146'			58'			
6 Sept 91			116'		146'			59'			
13 Sept 91			119'		146'			59'			
20 Sept 91			119'		146'			59'			
27 Sept 91				70'	101'			60'			
04 Oct 91				62'	93'			60'			
11 Oct 91				68'	98'			60'	80'		
18 Oct 91				64'	89'			59'			
8 Nov 91				57'	85'			58'			
15 Nov 91			109'		141'			57'			
22 Nov 91			80'?		147'			59'			
06 Dec 91			112'		146'			59'			
20 Dec 91		54'	116'		147'			67'			
27 Dec 91			115'		148'			62'			
03 Jan 92	246'		146'		150'			62'			
10 Jan 92				73'	121			62'			SWL 18
17 Jan 92				67'	97'			63'			
24 Jan 92			113'		157'			63'			
31 Jan 92				67'	100'			64'			

NOTE: WELLS 9, 10, 17 SOUNDED WEEKLY; WELLS 5, 17 AND 23 SOUNDED JAN, APR, JUL, OCT

WELL SOUNDINGS RECORD

DATE	WELL #5		WELL #9		WELL #10		WELL #17		WELL #23	
	PWL	SWL	PWL	SWL	PWL	SWL	PWL	SWL	PWL	SW
11 Jan 91	240			57		93		59		
18 Jan 91				56		89		56		19
25 Jan 91			95		133		55			13
01 Feb 91			97		134		56			
14 Feb 91				57*		90		56		well pump out of well for repair*
22 Feb 91				55*		92		56		
01 Mar 91				—*		86'		56		pump being * replaced today
08 Mar 91				64'		—*		55		* pump out of well
15 Mar 91	240			62'		84'		55		18'
22 Mar 91				56'		84'		54		
29 Mar 91				53'		83'		53'		
24 May 91			well came on white sounding → 140'	107'		83		50'		24'
02 Jun				107'		84		49		
05 Jun				107'	10:30 am	84				
05 Jun					11:30	93'				
05 Jun					12:30	100'				
05 Jun					1330	104'				
05 Jun					1430	120'				
05 Jun					1530	123'				
13 Jun 91				107'				65		
14 Jun 91				12:50 pm 83'	10:45 am 61					
19 Jun 91				105				92		52
28 Jun 91	240			113				87		52.5
07 Jul 91				115		154"		54		
12 Jul 91				107		148		47		

well soundings broken

well came on white sounding →

NOTE: WELLS 9, 10, 17 SOUNDED WEEKLY; WELLS 5 AND 23 SOUNDED JAN., APR., JUL., OCT

Copy of document found at www.NoNewWipTax.com

Sports complex well: 6/19/91 - 16' SWL

WELL SOUNDINGS RECORD

DATE	WELL #5		WELL #9		WELL #10		WELL #17		WELL #23	
	PWL	SWL	PWL	SWL	PWL	SWL	PWL	SWL	PWL	SWL
06 Jul 90			95		132			59		
16 Jul 90			97		132			60		
20 Jul 90			96		132			60		
26 Jul 90			95		133			60		
03 Aug 90			96		131			59		
10 Aug 90			96		134			62		
17 Aug 90			95		134			59		
24 Aug 90			95		134			62		
31 Aug 90			95		134			59		
07 Sep 90			95		134			59		
14 Sep 90			96		136			62		
21 Sep 90			95		135			62		
02 Oct 90	240		96		132			62		
07 Oct 90			96		135			62		
19 Oct 90			99		135			64		
26 Oct 90				79		108		64		
03 Nov 90				65		96		60'		
09 Nov 90				64		95		59		
16 Nov 90				63		95		59		
01 Dec 90			97*		128*			59	plant was off at night *	
10 Dec 90				63		96		61		
14 Dec 90			95		125			59		
28 Dec 90				61		93		59		

NOTE: WELLS 9, 10, 17 SOUNDED WEEKLY; WELLS 5 AND 23 SOUNDED JAN, APR, JUL, OCT

WELL SOUNDINGS RECORD

DATE	WELL #5		WELL #9		WELL #10		WELL #17		WELL #23	
	PWL	SWL	PWL	SWL	PWL	SWL	PWL	SWL	PWL	SWL
12-Jan 90			92		127	94				
22 Jan 90					127					
01 Feb 90	239'			64				58		
09 Feb 90				58		89.5		52		
15 Feb 90			95		122			51		
23 Feb 90			95		122			53		
02 Mar 90			95		119			53		
09 Mar 90			95		122			52		
16 Mar 90			95		129			52		
23 Mar 90			95		129			53		
30 Mar 90			95							
06 Apr 90				65		99		54		
13 Apr 90			95		128			55		
20 Apr 90			95		128			54		
27 Apr 90			95		134			54		
04 May 90	240		95		136			56		
11 May 90			95		137			56		
16 May 90			—		137			—		
18 May 90			96		137			57		
25 May 90			95		132.5			58		
01 Jun 90			99		132			58		
11 Jun 90			95		132			58		
15 Jun 90			100		132			58		
22 Jun 90			97		132			59		
29 Jun 90	239		95		133			59		

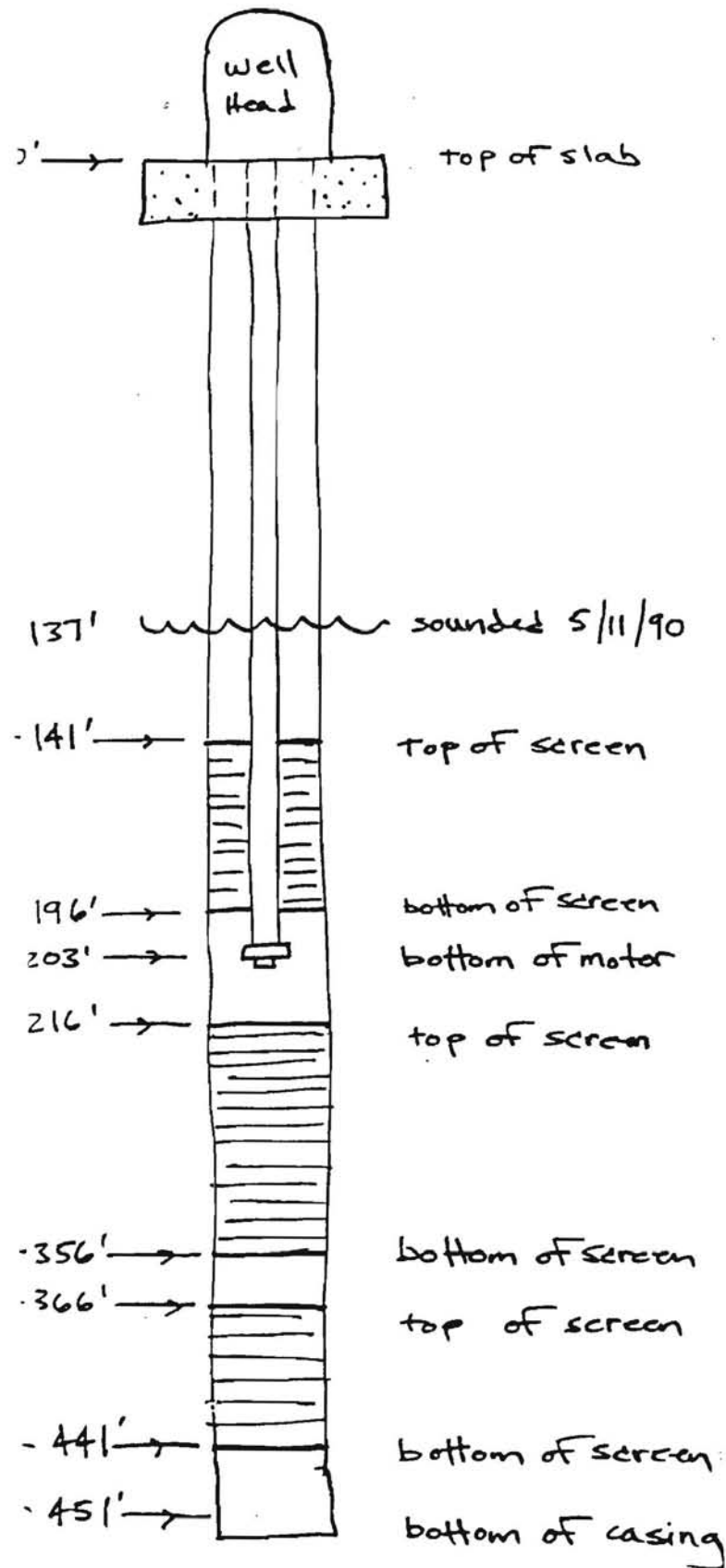
NOTE: WELLS 9, 10, 17 SOUNDED WEEKLY; WELLS 5 AND 23 SOUNDED JAN., APR., JUL., OCT.

WELL SOUNDINGS RECORD

DATE	WELL #5		WELL #9		WELL #10		WELL #17		WELL #23	
	FWL	SWL	FWL	SWL	FWL	SWL	FWL	SWL	FWL	SWL
26 July 86			65.1	15.8						
20 Jun 86						48.7				
21 Jan 86					91	50.3				
27 Feb 86	141.3	66								
30 Jun 86	167	76								
28 Oct 86	151	79								
04 Dec 86	136	77.5								
05 Jan 87	152	81								
22 Jun 87	145	92								
30 Jun 87	146.5	87								
21 Jun 89				89	89					
21 July 89			93		90					
06 Oct 89			90	58	123	58				
17 Oct 89				56		87				
19 Oct 89			95		124					
02 Nov 89			95		129					
09 Nov 89			95		128					
14 Nov 89			95		128					
20 Nov 89	121	85	96		129					
27 Nov 89			96		129					
04 Dec 89			96		129					
14 Dec 89			96		129			60		
19 Dec 89				63		94		59		
21 Dec 89			95		129			55		
26 Dec 89			95		129			57		

NOTE: WELLS 9, 10, 17 SOUNDED WEEKLY; WELLS 5 AND 23 SOUNDED JAN, APR, JUL, OCT

Well #10



per JWC.

when vert. vel. of water
 spin down to pump ~~screen~~
 tubes bubbles into pump then
 cavitation can occur.

1st symptom on this (per JWC)
 is $\pm 30\%$ drop of efficiency

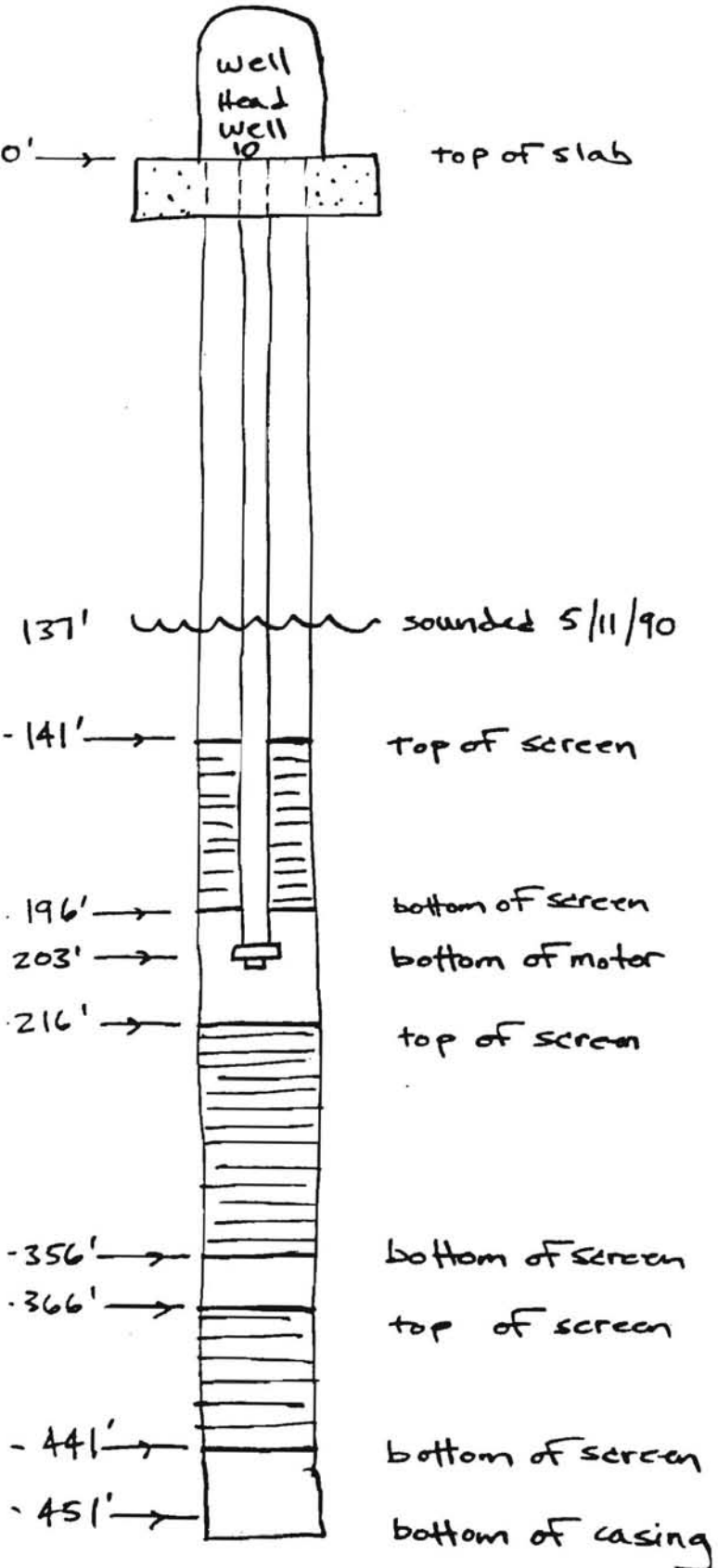
01-Feb-90	58	4
09-Feb-90	52	4
15-Feb-90	51	4
23-Feb-90	53	4
03-02-90	53	4
03-09-90	52	4
03-16-90	52	4
03-23-90	53	4
03-30-90	54	4

DATE	PWL	SWL	WELL #
26-Jul-85	65.1	15.8	9
21-Jul-89	93	N/A	9
06-Oct-89	90	58	9
17-Oct-89		56	9
19-Oct-89	95		9
02-Nov-89	95		9
09-Nov-89	95		9
14-Nov-89	95		9
20-Nov-89	96		9
27-Nov-89	96		9
04-Dec-89	96		9
14-Dec-89	96		9

19-Dec-89		63	9
21-Dec-89	95		9
26-Dec-89	95		9
12-Jan-90	92		9
01-Feb-90		64	9
09-Feb-90		58	9
15-Feb-90	95		9
23-Feb-90	95		9
03-02-90	95		9
03-09-90	95		9
03-16-90	95		9
03-23-90	95		9
03-30-90	95		9

DATE	PWL	SWL	WELL #
20-Jan-86		48.7	10
21-Jan-86	91	50.3	10
21-Jun-89	89		10
21-Jul-89	90		10
06-Oct-89	123	58	10
17-Oct-89		87	10
19-Oct-89	124		10
02-Nov-89	129		10
09-Nov-89	128		10
14-Nov-89	128		10
20-Nov-89	129		10
27-Nov-89	129		10
04-Dec-89	129		10
14-Dec-89	129		10
19-Dec-89		94	10
21-Dec-89	129		10
26-Dec-89	129		10
12-Jan-90	127	94	10
22-Jan-90	127		10
09-Feb-90		89.5	10
15-Feb-90	122		10
23-Feb-90	122		10
03-02-90	119		10
03-09-90	122		10
03-16-90	129		10
03-23-90	129		10

2/1/90 well # 5
239'
5/4/90 240'



Reservoirs

Wells

#10 submerged

static 95

Pumping 125

Cap 180 gpm

20 min contact time
Cl₂

discharge to treatment p/t.

Treatment p/t

Well #9

static - 65

pump - 95

cap - 200 gpm

discharge to

20 min contact

Cl₂

Well #5

Limit 700 Acre ft per year

Cap 750

static 53 ft pump level 110 ft

30 min contact
time Cl₂

October 20, 1989

MEMO TO: Jim Ashcraft, Director of Public Works

F R O M: Tony Sicre, Water Superintendent

SUBJECT: Static Water Level of the City Wells

Well # 5

DATE	SWL	Pumping Water Level
2-27-86	65 ft	141.3 ft
6-30-86	76 ft	167.0 ft
10-28-86	79 ft	151.0 ft
12-4-86	77.5 ft	136.0 ft
5-1-87	81 ft	152.0 ft
6-22-87	92 ft	145.0 ft
6-30-87	87 ft	146.5 ft

No testing was performed on the wells in 1988, by PG&E.
PG&E is schedule to return in November, 1989 to retest the wells and some of the booster pumps.

Well # 9

DATE	SWL	Pumping Water Level
12-26-85	15.8 ft	65.1 ft
7-21-89	N\A	93.0 ft
10-6-89	58.0 ft	90.0 ft
10-17-89	56.0 ft	N\A
10-19-89		95.0 ft

Well # 10

DATE	SWL	Pumping Water Level
1-20-86	48.7 ft	N\A
1-21-86	50.3 ft	91.0 ft
6-21-89	N\A	89.0 ft
7-21-89	N\A	90.0 ft
10-6-89	58.0 ft	123.0 ft
10-17-89	87.0 ft	
10-19-89		124.0 ft

N\A = No data as wells were running, and due to demand could not be shut down.

file:tswells

October 20, 1989

MEMO TO: Jim Ashcraft, Director of Public Works

F R O M: Tony Sicre, Water Superintendent

SUBJECT: Static Water Level of the City Wells

Well # 5

DATE	SWL	Pumping Water Level
2-27-86	65 ft	141.3 ft
6-30-86	76 ft	167.0 ft
10-28-86	79 ft	151.0 ft
12-4-86	77.5 ft	136.0 ft
5-1-87	81 ft	152.0 ft
6-22-87	92 ft	145.0 ft
6-30-87	87 ft	146.5 ft

No testing was performed on the wells in 1988, by PG&E.
PG&E is schedule to return in November, 1989 to retest the wells and some of the booster pumps.

Well # 9

DATE	SWL	Pumping Water Level
12-26-85	15.8 ft	65.1 ft
7-21-89	N\A	93.0 ft
10-6-89	58.0 ft	90.0 ft
10-17-89	56.0 ft	N\A
10-19-89		95.0 ft

Well # 10


DATE	SWL	Pumping Water Level
1-20-86	48.7 ft	N\A
1-21-86	50.3 ft	91.0 ft
6-21-89	N\A	89.0 ft
7-21-89	N\A	90.0 ft
10-6-89	58.0 ft	123.0 ft
10-17-89	87.0 ft	
10-19-89		124.0 ft

N\A = No data as wells were running, and due to demand could not be shut down.

file:tswells

September 19, 1989

MEMO TO: Jim Ashcraft, Director of Public Works

F R O M: Tony Sicre, Water Superintendent 

SUBJECT: Static Water Level of the City Wells

DISCUSSION

On September 18th you asked for records, of the Static Water Levels, for all the wells the City of Pismo Beach operates. Attached are PG&E reports for well # 5,9, and 10. Included are reports by Tim Cleath on wells 9 and 10.

Well # 5

DATE	SWL	Pumping Water Level
2-27-86	65 ft	141.3 ft
6-30-86	76 ft	167.0 ft
10-28-86	79 ft	151.0 ft
12-4-86	77.5 ft	136.0 ft
5-1-87	81 ft	152.0 ft
6-22-87	92 ft	145.0 ft
6-30-87	87 ft	146.5 ft

No testing was performed on the wells in 1988, by PG&E. PG&E is schedule to return in November,1989 to retest the wells and some of the booster pumps.

Well # 9

DATE	SWL	Pumping Water Level
12-26-85	15.8 ft	65.1 ft
7-21-89	N\A	93.0 ft

Well # 10

DATE	SWL	Pumping Water Level
1-20-86	48.7 ft	N\A
1-21-86	50.3 ft	91.0 ft
6-21-89	N\A	89.0 ft
7-21-89	N\A	90.0 ft


N\A = No data as wells were running, and due to demand could not be shut down.

file:tswells

attachments.

September 19, 1989

MEMO TO: Jim Ashcraft, Director of Public Works

F R O M: Tony Sicre, Water Superintendent 

SUBJECT: Static Water Level of the City Wells

DISCUSSION

On September 18th you asked for records, of the Static Water Levels, for all the wells the City of Pismo Beach operates. Attached are PG&E reports for well # 5,9, and 10. Included are reports by Tim Cleath on wells 9 and 10.

Well # 5

DATE	SWL	Pumping Water Level
2-27-86	65 ft	141.3 ft
6-30-86	76 ft	167.0 ft
10-28-86	79 ft	151.0 ft
12-4-86	77.5 ft	136.0 ft
5-1-87	81 ft	152.0 ft
6-22-87	92 ft	145.0 ft
6-30-87	87 ft	146.5 ft

No testing was performed on the wells in 1988, by PG&E. PG&E is schedule to return in November,1989 to retest the wells and some of the booster pumps.

Well # 9

DATE	SWL	Pumping Water Level
12-26-85	15.8 ft	65.1 ft
7-21-89	N\A	93.0 ft

Well # 10

DATE	SWL	Pumping Water Level
1-20-86	48.7 ft	N\A
1-21-86	50.3 ft	91.0 ft
6-21-89	N\A	89.0 ft
7-21-89	N\A	90.0 ft

N\A = No data as wells were running, and due to demand could not be shut down.

file:tswells

attachments.

from the ... in device room
= 770 after 5 minutes.

dist - misc & breaks 1 1/2

9287-588 3/4

H Beck, Randy & helper installed
heat exchanger etc in well #3

6.1.3

87-086 CM 1/4

discussed our concern that lifting
rods installed into PEC bores may
not have enough bond strength
to lift them. Told Habek our
calls show they may be insufficient.
He told me he had it worked out
by manufacturer of rods & quick
release clips & was confident
they would work.

9/1 '88 Wed, Fair

9288-060 3 1/2

checked pumping levels for wells #9 & 10

#9 = 901, #10 = 124' below surface

George, Dale & Archie made runs
w/ activated carbon filter last
PM @ 11.0 in 8 hrs @ 1/2 gpm
then pilot. This needs to be
baked up over time to determine
whether horn not wts loose

toil Jim over where he got
him up to date on events.

9287-587 1/2

Scott & crew of 2 blasted
& painted welds to inlet on
the outside.

9288-064 1 1/2

Phil blasted & painted 3
bottom ringplate to w/in one
or outside ladder.

9288-060 2

RES 212 heating in DEC manual

undist - misc & breaks 1

Travis, Fair

9/1 Dr. Carlson = 1RS 1

undist. - misc & breaks 1

9287-588 1

Habek, Randy Brake, helper, Pat M.
Jeff Hewitt w/king on well #3 -
heat exchanger, surge chamber, piping,
control valve.

old paint for gregs to use on
equip
Lee Wilson trenching for telom

CITY OF PISMO BEACH WELL WATER LEVEL

DATE	PWL	SWL	WELL #
27-Feb-86	141.3	66	5
30-Jun-86	167	76	5
28-Oct-86	151	79	5
04-Dec-86	136	77.5	5
05-Jan-87	152	81	5
22-Jun-87	145	92	5
30-Jun-87	146.5	87	5
20-Nov-89	121	85	5
01-Feb-90	239		
09-Feb-90			
DATE	PWL	SWL	WELL #
26-Jul-85	65.1	15.8	9
21-Jul-89	93	N/A	9
06-Oct-89	90	58	9
17-Oct-89		56	9
19-Oct-89	95		9
02-Nov-89	95		9
09-Nov-89	95		9
14-Nov-89	95		9
20-Nov-89	96		9
27-Nov-89	96		9
04-Dec-89	96		9
14-Dec-89	96		9
19-Dec-89		63	9
21-Dec-89	95		9
26-Dec-89	95		9
12-Jan-90	92		9
01-Feb-90		64	9
09-Feb-90		58	9
DATE	PWL	SWL	WELL #
20-Jan-86		48.7	10
21-Jan-86	91	50.3	10
21-Jun-89	89		10
21-Jul-89	90		10
06-Oct-89	123	58	10
17-Oct-89		87	10
19-Oct-89	124		10
02-Nov-89	129		10
09-Nov-89	128		10
14-Nov-89	128		10
20-Nov-89	129		10
27-Nov-89	129		10
04-Dec-89	129		10
14-Dec-89	129		10
19-Dec-89		94	10
21-Dec-89	129		10
26-Dec-89	129		10
12-Jan-90	127	94	10
22-Jan-90	127		10
09-Feb-90		89.5	10
DATE	PWL	SWL	WELL #
15-Dec-89		60	4
19-Dec-89		59	4
21-Dec-89		55	4
26-Dec-89		57	4
01-Feb-90		58	4
09-Feb-90		52	4

CITY OF PISMO BEACH WELL WATER LEVEL

DATE	PWL	SWL	WELL #
27-Feb-86	141.3	66	5
30-Jun-86	167	76	5
28-Oct-86	151	79	5
04-Dec-86	136	77.5	5
05-Jan-87	152	81	5
22-Jun-87	145	92	5
30-Jun-87	146.5	87	5
20-Nov-89	121	85	5
01-Feb-90	239		
01-Mar-90			
DATE	PWL	SWL	WELL #
26-Jul-85	65.1	15.8	9
21-Jul-89	93	N/A	9
06-Oct-89	90	58	9
17-Oct-89		56	9
19-Oct-89	95		9
02-Nov-89	95		9
09-Nov-89	95		9
14-Nov-89	95		9
20-Nov-89	96		9
27-Nov-89	96		9
04-Dec-89	96		9
14-Dec-89	96		9
19-Dec-89		63	9
21-Dec-89	95		9
26-Dec-89	95		9
12-Jan-90	92		9
01-Feb-90		64	
DATE	PWL	SWL	WELL #
20-Jan-86		48.7	10
21-Jan-86	91	50.3	10
21-Jun-89	89		10
21-Jul-89	90		10
06-Oct-89	123	58	10
17-Oct-89		87	10
19-Oct-89	124		10
02-Nov-89	129		10
09-Nov-89	128		10
14-Nov-89	128		10
20-Nov-89	129		10
27-Nov-89	129		10
04-Dec-89	129		10
14-Dec-89	129		10
19-Dec-89		94	10
21-Dec-89	129		10
26-Dec-89	129		10
12-Jan-90	127	94	10
22-Jan-90	127		10
DATE	PWL	SWL	WELL #
15-Dec-89		60	4
19-Dec-89		59	4
21-Dec-89		55	4
26-Dec-89		57	4
01-Feb-90		58	